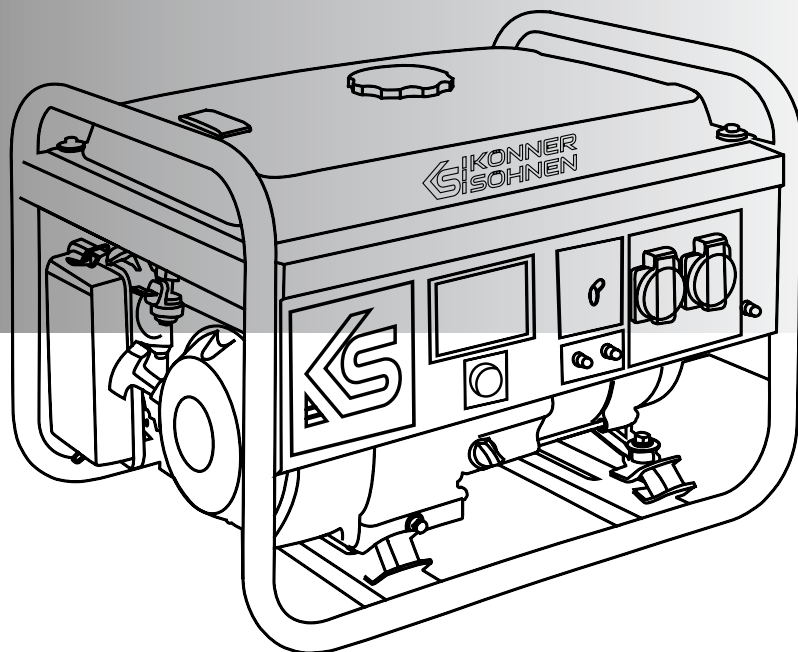


GASOLINE GENERATOR EXPLODED VIEW

KS 2900G, KS 3000G



TRADITIONELLE DEUTSCHE QUALITÄT

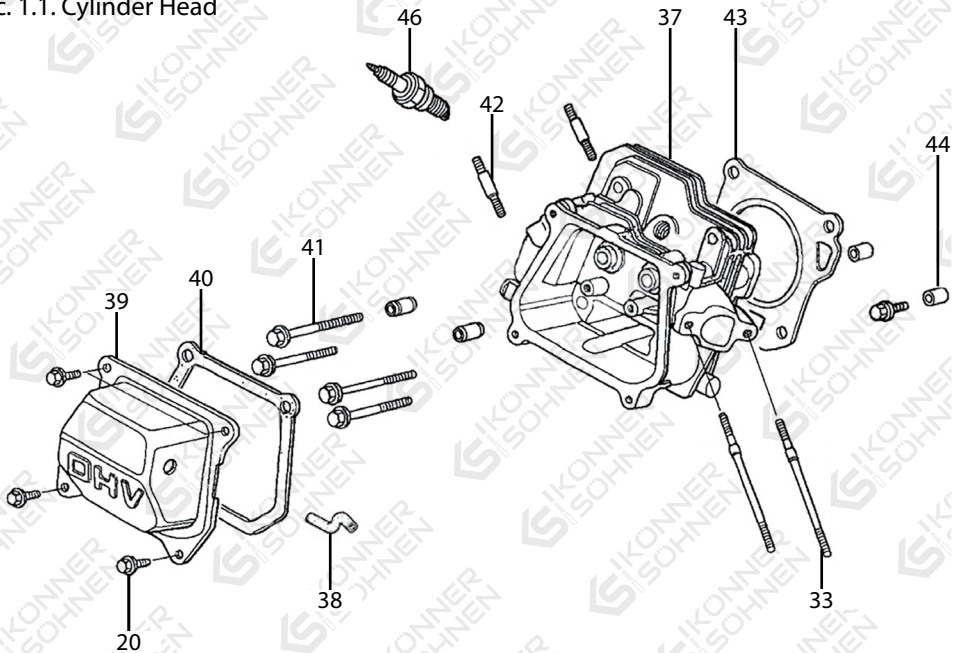
CONTENTS

1. Parts of engine	2
2. Parts of alternator	6
3. Parts of panel	7
4. Parts of LPG gearbox	7
5. Parts of cover shell	8
6. Parts of fuel tank	8
7. Whole set, gasoline engine	9
8. Electric scheme	18

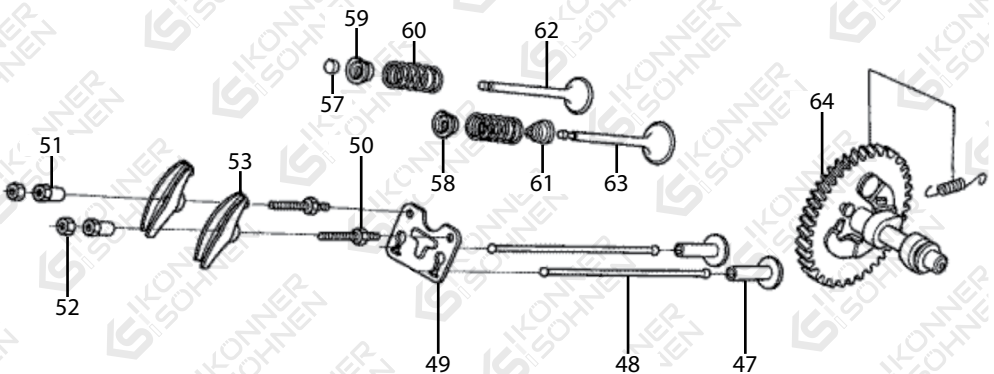
! This material is for informational purposes only and is not an instruction. The connection of the equipment in each case must be performed by a certified electrician, in accordance with local laws and regulations. Before connecting, we urge you to read the recommendations in the manual for the generator. The manufacturer is not responsible for improper connection of equipment, and is not responsible for possible material and physical damage that may occur as a result of improper installation, connection or operation of equipment.

1. PARTS OF ENGINE

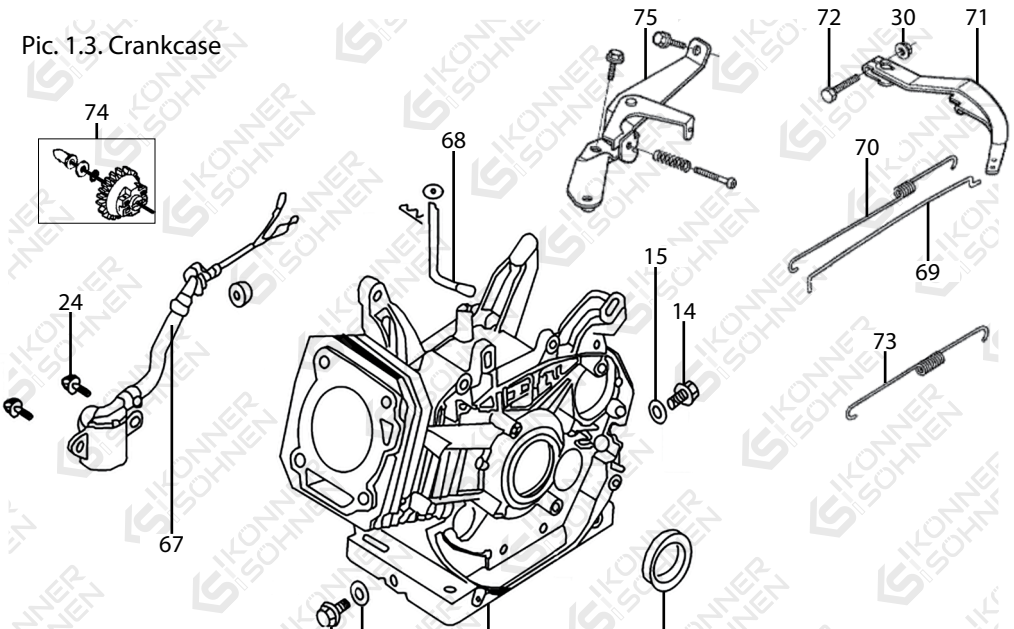
Pic. 1.1. Cylinder Head



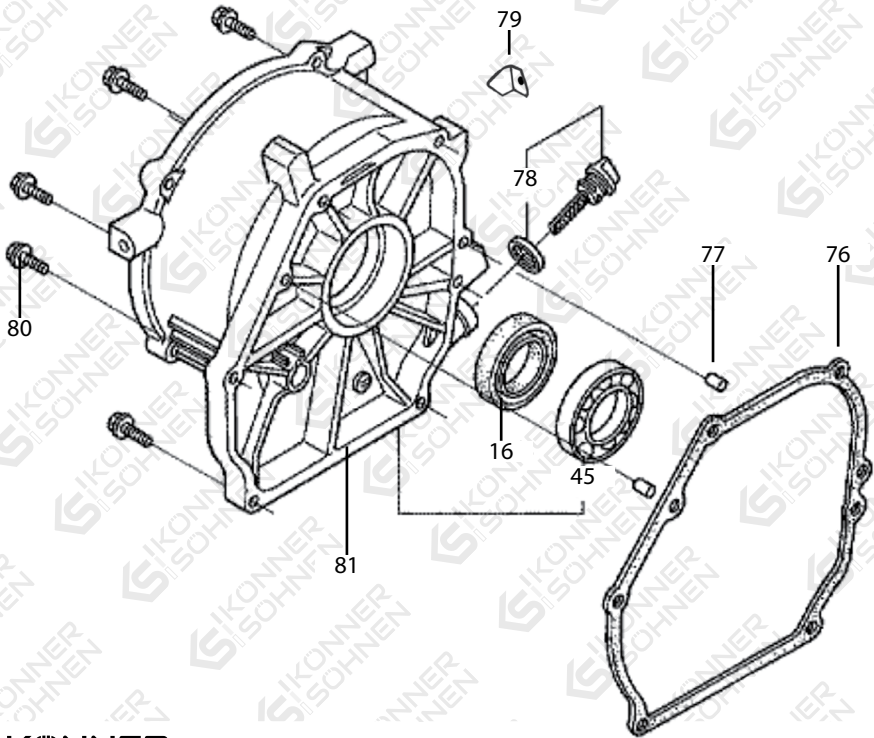
Pic. 1.2. Camshaft Assy



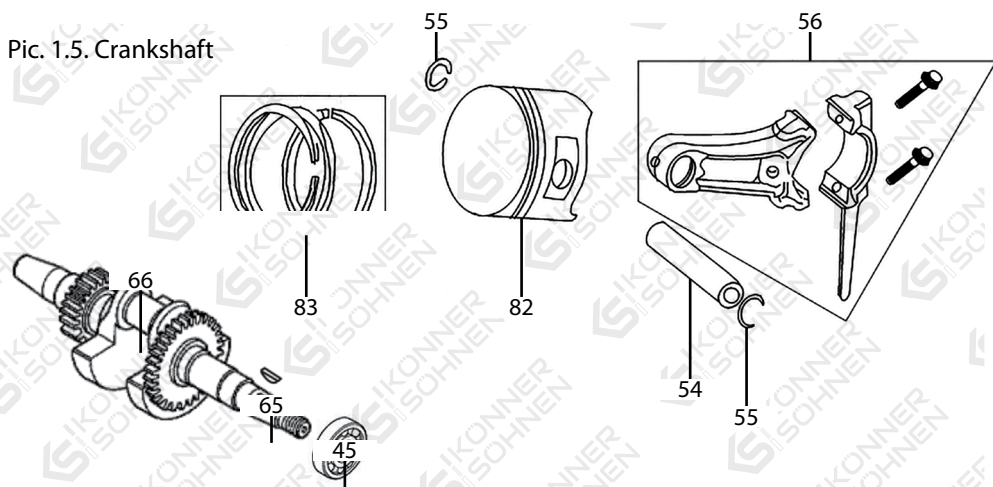
Pic. 1.3. Crankcase



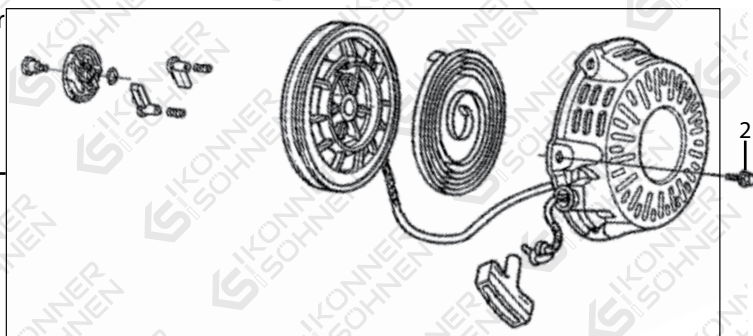
Pic. 1.4. Crankcase Cover



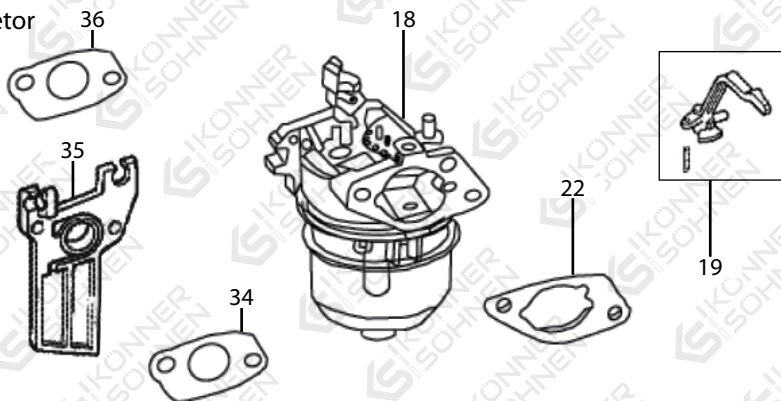
Pic. 1.5. Crankshaft



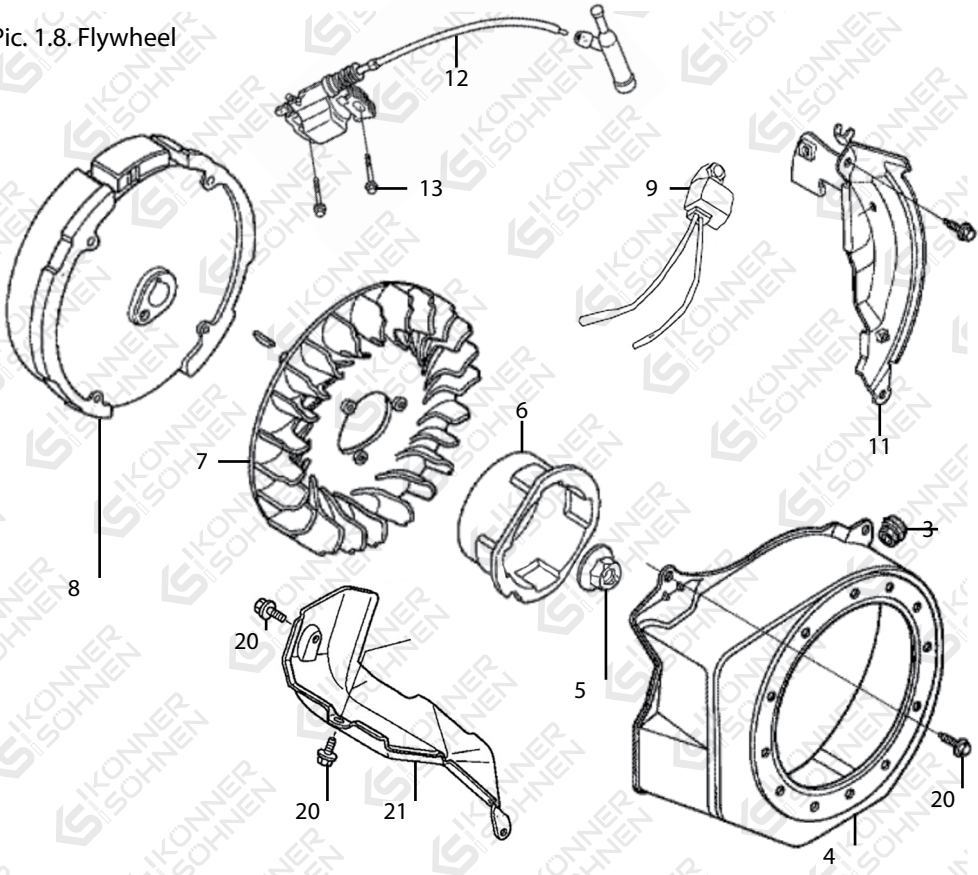
Pic. 1.6. Recoil Starter



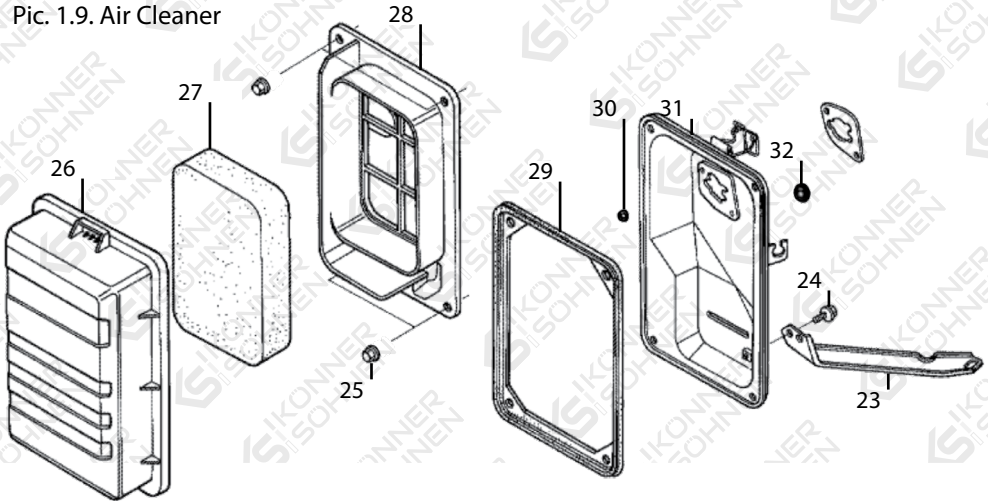
Pic. 1.7. Carburetor



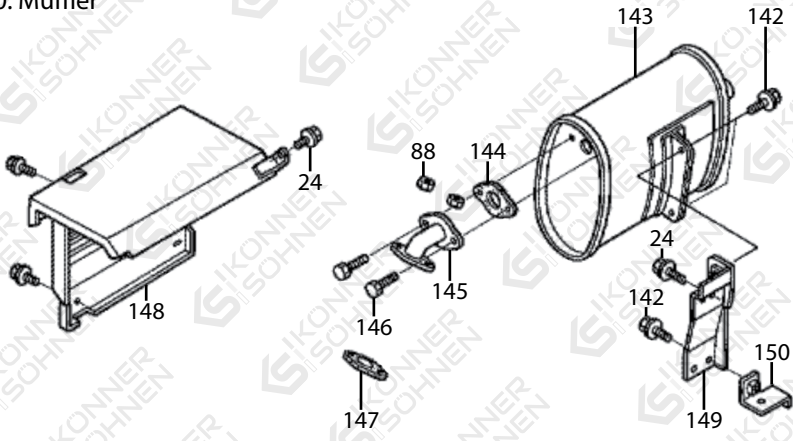
Pic. 1.8. Flywheel



Pic. 1.9. Air Cleaner

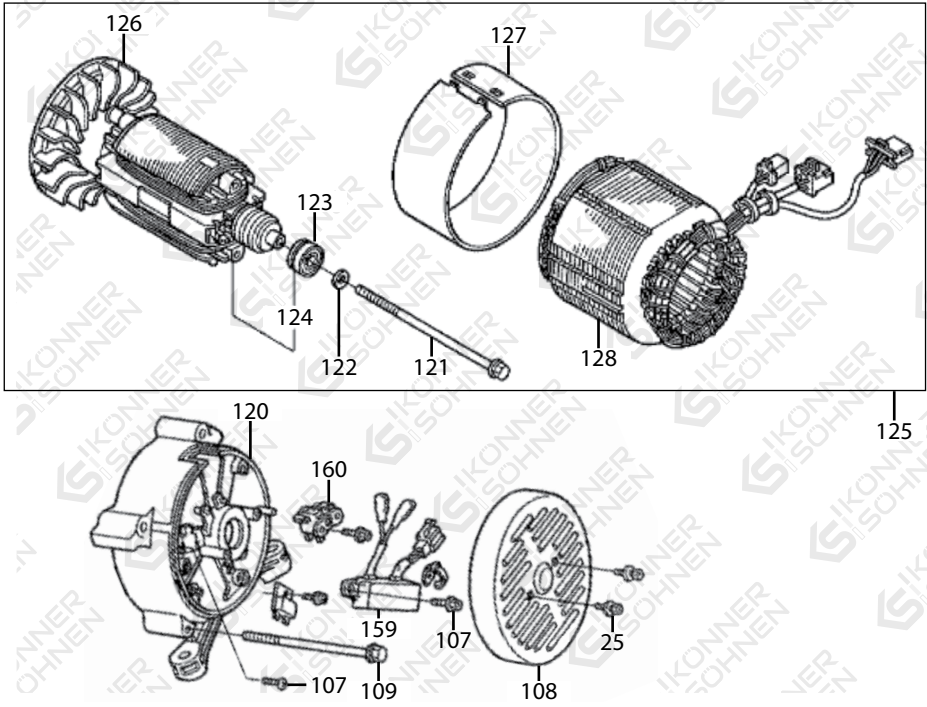


Pic. 1.10. Muffler

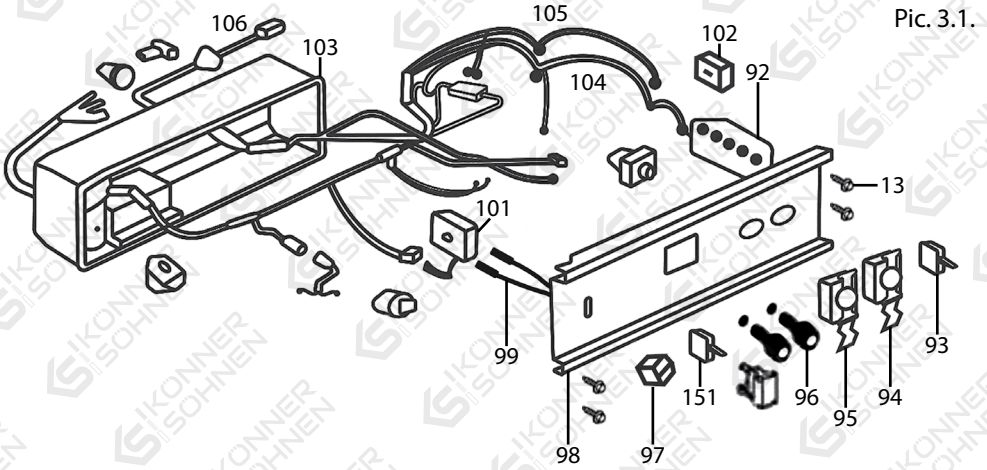


2. PARTS OF ALTERNATOR

Pic. 2.1. Rotor / Stator

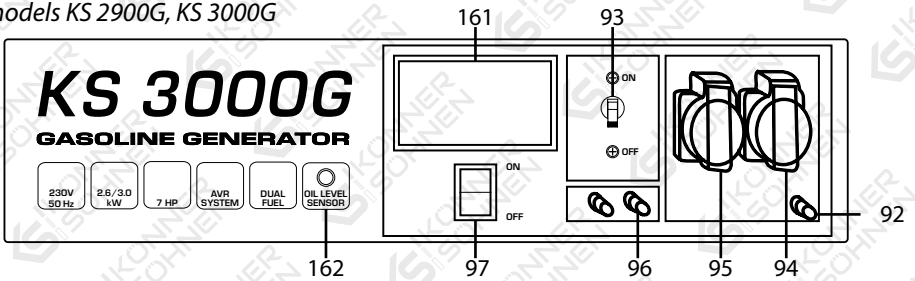


3. PARTS OF PANEL

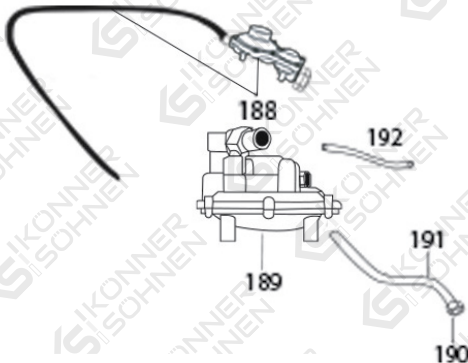


Pic. 3.1.

Pic. 3.2.
For models KS 2900G, KS 3000G

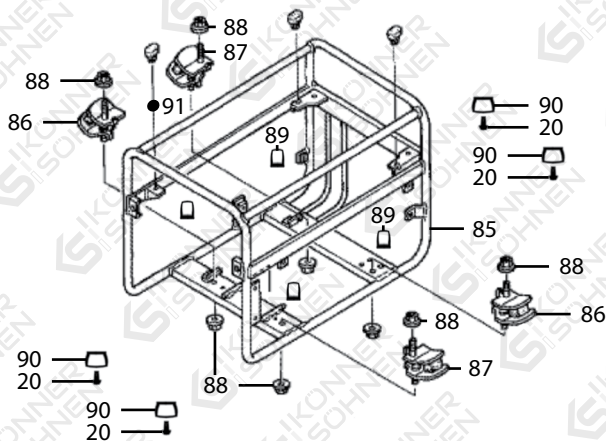


4. PARTS OF LPG GEARBOX



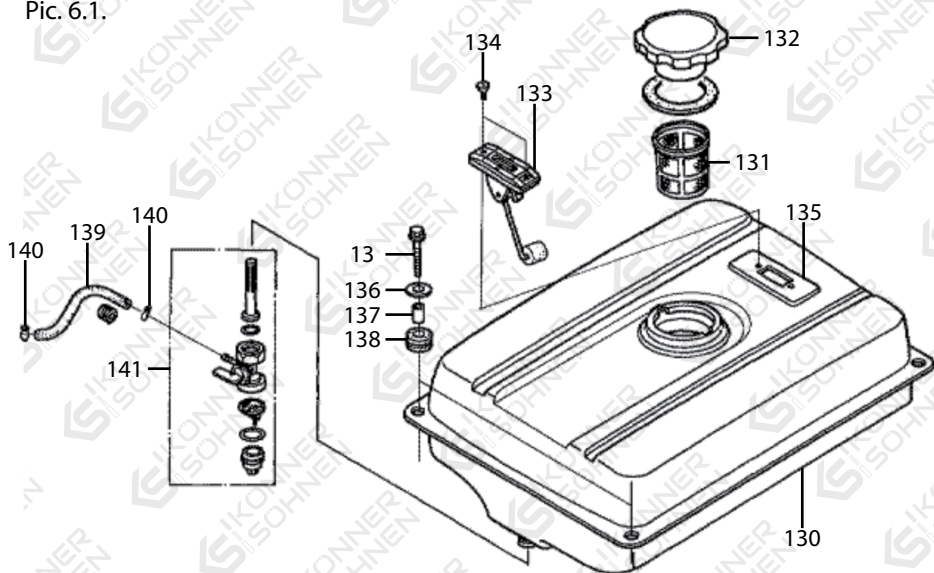
5. PARTS OF COVER SHELL

Pic. 5.1.



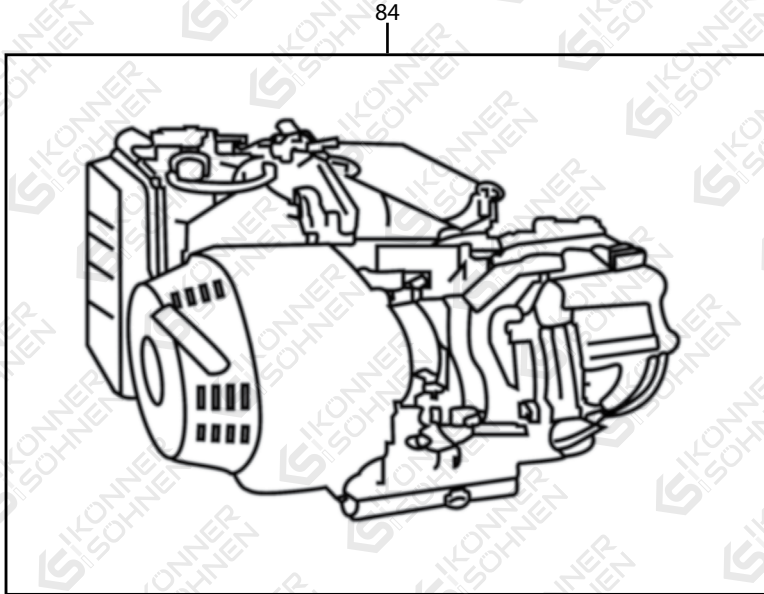
6. PARTS OF FUEL TANK

Pic. 6.1.



7. WHOLE SET, GASOLINE ENGINE

Pic. 7.1.



No	REF. No	DESCRIPTION	QTY
1	KS 3000G-001	Recoiler COMP	1
2	KS 3000G-002	Flange Bolt. M6*8	4
3	KS 3000G-003	Grommet Drain Hole	1
4	KS 3000G-004	Covering Fan COMP	1
5	KS 3000G-005	Flange, Nut M14	1
6	KS 3000G-006	Starting Pulley	1
7	KS 3000G-007	Cooling Fan	1
8	KS 3000G-008	Flywheel COMP	1
9	KS 3000G-009	Oil Blocker	1
10	KS 3000G-010	Clip, Oil blocker	1
11	KS 3000G-011	Side Plate	1
12	KS 3000G-012	Coil ASSY, Ignition	1
13	KS 3000G-013	Flange Bolt M6*25	10
14	KS 3000G-014	Bolt, Drain plug	2
15	KS 3000G-015	Washer, Drain plug	2
16	KS 3000G-016	Oil seal, 25*41*6	2
17	KS 3000G-017	Crank Case ASSY	1
18	KS 3000G-018	Carburetor ASSY	1
19	KS 3000G-019	Lever COMP, Choke	1
20	KS 3000G-020	Flange Bolt M6*12	15

No	REF. No	DESCRIPTION	QTY
21	KS 3000G-21	Shroud COMP	1
22	KS 3000G-22	Gasket, Carburetor to Air cleaner	1
23	KS 3000G-23	Stay, Air cleaner	1
24	KS 3000G-24	Flange Bolt M6*12	7
25	KS 3000G-25	Bolt, M5*12	4
26	KS 3000G-26	Cover COMP, Air cleaner	1
27	KS 3000G-27	Element, Air cleaner	1
28	KS 3000G-28	Separator, Air cleaner	1
29	KS 3000G-29	Seal, Air cleaner	1
30	KS 3000G-30	Flange Nut M6	2
31	KS 3000G-31	Case COMP, Air cleaner	1
32	KS 3000G-32	Grommet Fender	1
33	KS 3000G-33	Bolt Head, 6*94	2
34	KS 3000G-34	Gasket, Carburetor	1
35	KS 3000G-35	Heat Isolator, Carburetor	1
36	KS 3000G-36	Packing, Heat isolator	1
37	KS 3000G-37	Cylinder Head COMP	1
38	KS 3000G-38	Breather	1
39	KS 3000G-39	Cover COMP, Cylinder head	1
40	KS 3000G-40	Gasket, Cylinder head cover	1

No	REF. No	DESCRIPTION	QTY
41	KS 3000G-41	Flange Bolt M8*60	4
42	KS 3000G-42	Bolt Head, M8*32	2
43	KS 3000G-43	Gasket, Cylinder head	1
44	KS 3000G-44	Pin, Dowel 10*16	2
45	KS 3000G-45	Radial Ball Bearing(6025)	2
46	KS 3000G-46	Spark Plug	1
47	KS 3000G-47	Valve Lifter	2
48	KS 3000G-48	Push Rod	2
49	KS 3000G-49	Plate, Push rod guide	1
50	KS 3000G-50	Bolt, Pivot	2
51	KS 3000G-51	Nut, Valve rocker arm	2
52	KS 3000G-52	Nut, Pivot Adjust	2
53	KS 3000G-53	Valve Rocker Arm	2
54	KS 3000G-54	Piston Pin	1
55	KS 3000G-55	Clip, Piston pin	2
56	KS 3000G-56	Connecting Rod ASSY	1
57	KS 3000G-57	Valve Rotator	1
58	KS 3000G-58	Retainer, Intake valve spring	1
59	KS 3000G-59	Retainer, Ex. valve spring	1
60	KS 3000G-60	Valve Spring	2

No	REF. No	DESCRIPTION	QTY
61	KS 3000G-61	Valve Spring Seat	1
62	KS 3000G-62	Valve, Exhaust	1
63	KS 3000G-63	Valve, Intake	1
64	KS 3000G-64	Camshaft	1
65	KS 3000G-65	Key, 25*18	1
66	KS 3000G-66	Crankshaft	1
67	KS 3000G-67	Switch ASSY, Oil level	1
68	KS 3000G-68	Governor Shaft	1
69	KS 3000G-69	Rod, Governor	1
70	KS 3000G-70	Spring, Throttle return	1
71	KS 3000G-71	Governor Arm	1
72	KS 3000G-72	Bolt, Governor arm	1
73	KS 3000G-73	Governor Spring	1
74	KS 3000G-74	Governor ASSY	1
75	KS 3000G-75	Control ASSY	1
76	KS 3000G-76	Packing, Case cover	1
77	KS 3000G-77	Pin, Dowel 8*14	2
78	KS 3000G-78	Cap, Oil filler	1
79	KS 3000G-79	Plat	1
80	KS 3000G-80	Flange Bolt M8*32	6

No	REF. No	DESCRIPTION	QTY
81	KS 3000G-81	Crankcase Cover	1
82	KS 3000G-82	Piston	1
83	KS 3000G-83	Piston Ring Set	1
84	KS 3000G-84	Whole set, Gasoline engine	1
85	KS 3000G-85	Frame	1
86	KS 3000G-86	Bottom Rubber A	2
87	KS 3000G-87	Bottom Rubber B	2
88	KS 3000G-88	Flange Nut M8	20
89	KS 3000G-89	Flange Nut M6	4
90	KS 3000G-90	Cushion, Frame	4
91	KS 3000G-91	Rubber Pad, Frame	2
92	KS 3000G-92	Earth Terminal Set	1
93	KS 3000G-93	Circuit Breaker	1
94	KS 3000G-94	Receptacle	1
95	KS 3000G-95	Receptacle	1
96	KS 3000G-96	DC Output Post	2
97	KS 3000G-97	Engine Switch	1
98	KS 3000G-98	Control Panel	1
99	KS 3000G-99	Sub Harness	1
100	KS 3000G-100	Auto-Recover	1

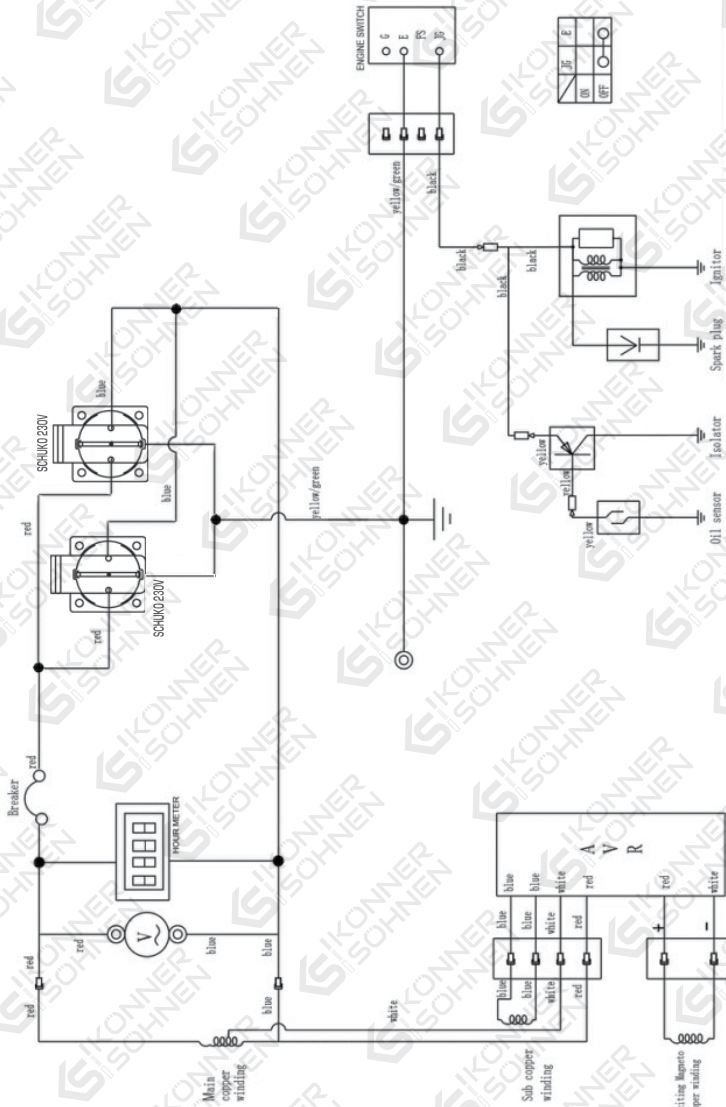
No	REF. No	DESCRIPTION	QTY
101	KS 3000G-101	Voltmeter	1
102	KS 3000G-102	Diode ASSY	1
103	KS 3000G-103	Control Panel Case	1
104	KS 3000G-104	Boot, Main wire harness	1
105	KS 3000G-105	Boot, AC output wire	1
106	KS 3000G-106	Wire Harness ASSY	1
107	KS 3000G-107	Flange Bolt M5*14	2
108	KS 3000G-108	Alternator Cover	1
109	KS 3000G-109	Flange Bolt M6*125	4
120	KS 3000G-120	Supporting Stand	1
121	KS 3000G-121	Bolt M8*180	1
122	KS 3000G-122	Plain Washer 10	1
123	KS 3000G-123	Bearing 6204-2RS	1
124	KS 3000G-124	Rotor COMP	1
125	KS 3000G-125	Stator & Rotor ASSY	1
126	KS 3000G-126	Generator Fan	1
127	KS 3000G-127	Stator Cover	1
128	KS 3000G-128	Stator ASSY	1
129	KS 3000G-129	Stripe, Fuel tank	1
130	KS 3000G-130	Fuel Tank	1

No	REF. No	DESCRIPTION	QTY
131	KS 3000G-131	Fuel Filter	1
132	KS 3000G-132	Cap ASSY	1
133	KS 3000G-133	Fuel Sensor	1
134	KS 3000G-134	Screw M5*10	2
135	KS 3000G-135	Gasket, Fuel tank	1
136	KS 3000G-136	Washer	4
137	KS 3000G-137	Collar	4
138	KS 3000G-138	Cushion	4
139	KS 3000G-139	Outlet Pipe 4.5*165	1
140	KS 3000G-140	Tube Clip	2
141	KS 3000G-141	Fuel Cock	1
142	KS 3000G-142	Flange Bolt M8*16	13
143	KS 3000G-143	Muffler	1
144	KS 3000G-144	Muffler Gasket	1
145	KS 3000G-145	Exhaust Pipe COMP	1
146	KS 3000G-146	Flange Bolt M8*25	2
147	KS 3000G-147	Exhaust Pipe Gasket	1
148	KS 3000G-148	Muffler Guard	1
149	KS 3000G-149	Muffler Stay	1
150	KS 3000G-150	Supporting Plate	15

No	REF. No	DESCRIPTION	QTY
151	KS 3000G-151	Voltage Option Switch	1
152	KS 3000G-152	Fuse	1
153	KS 3000G-153	Handles	2
154	KS 3000G-154	Pin	2
155	KS 3000G-155	Washer	2
156	KS 3000G-156	Wheel COMP	2
157	KS 3000G-157	Well Shaft	1
158	KS 3000G-158	Bracket	2
159	KS 3000G-159	Voltage Regulator	1
160	KS 3000G-160	Brush ASSY	1
161	KS 3000G-161	LED display	1
162	KS 3000G-162	Oil indicator	1
188	KS 3000G-188	LPG inlet tube with reducing valve	1
189	KS 3000G-189	De-compressor	1
190	KS 3000G-190	Clip, pressure tube	1
191	KS 3000G-191	Pressure tube	1
192	KS 3000G-192	Exhaust tube	1

8. ELECTRIC SCHEME

Pic. 8.1.
For models KS 2900G, KS 3000G



CONTACTS

konner-sohnen.com

Germany

info@dimaxgroup.de

Poland

info.pl@dimaxgroup.de

Ukraine

sales@ks-power.com.ua